

# CUSTOM RADIATOR ORDER FORM

PO #: \_\_\_\_\_ Date: \_\_\_\_\_

## BILLING ADDRESS:

Name: \_\_\_\_\_

Address: \_\_\_\_\_  
\_\_\_\_\_

City: \_\_\_\_\_ State: \_\_\_\_\_

Zip: \_\_\_\_\_ Country: \_\_\_\_\_

Daytime Phone: \_\_\_\_\_

## SHIPPING ADDRESS:

Name: \_\_\_\_\_

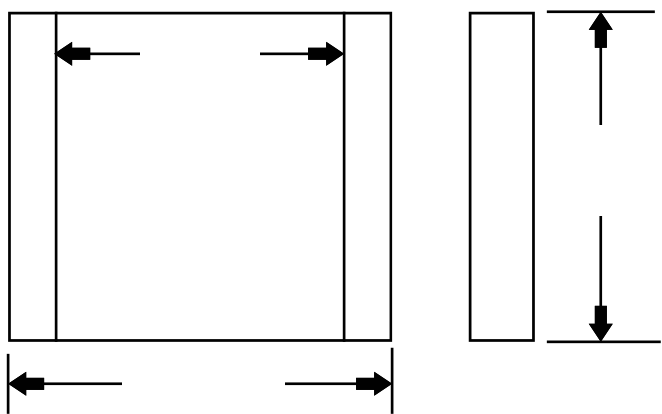
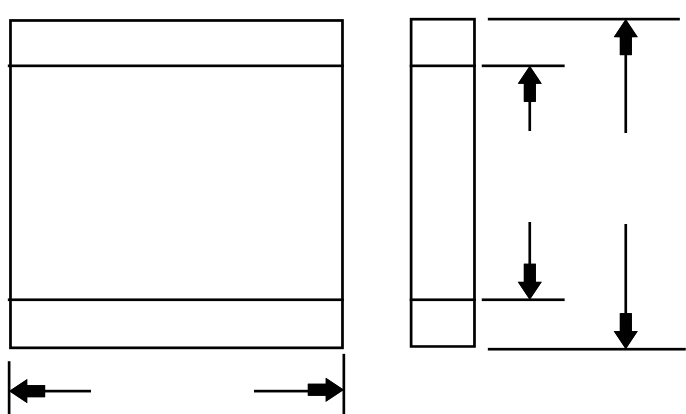
Address: \_\_\_\_\_  
\_\_\_\_\_

City: \_\_\_\_\_ State: \_\_\_\_\_

Zip: \_\_\_\_\_ Country: \_\_\_\_\_

Daytime Phone: \_\_\_\_\_

**SHIP VIA:**     UPS Ground     UPS 3rd Day     UPS 2nd Day     UPS Overnight  
Other: \_\_\_\_\_

<p><b>CROSS FLOW</b> Draw All Fitting Locations &amp; Angles</p>  <p><input type="checkbox"/> SINGLE PASS    <input type="checkbox"/> DUAL PASS</p>	<p><b>DOWN FLOW</b> Draw All Fitting Locations &amp; Angles</p> 
---	---

<b>CUSTOM RADIATOR SPECS</b>	<b>CORE TYPE</b> — <input type="checkbox"/> 1 ROW <input type="checkbox"/> 2 ROW <input type="checkbox"/> 3 ROW <input type="checkbox"/> 4 ROW <input type="checkbox"/> 5 ROW
	<input type="checkbox"/> 40 MM <input type="checkbox"/> 2 ROW, 7PLT HX <input type="checkbox"/> 3 ROW, 14 PLT HX <input type="checkbox"/> 4 ROW, 14 PLT HX <input type="checkbox"/> 5 ROW, 14 PLT HX
	<b>INLET FITTING</b> — <input type="checkbox"/> 1 1/2" TUBE <input type="checkbox"/> 1 3/4" TUBE <input type="checkbox"/> AN-12 <input type="checkbox"/> AN-16 <input type="checkbox"/> AN-20
	<b>OUTLET FITTINGS</b> — <input type="checkbox"/> 1" TUBE <input type="checkbox"/> 1 1/4" TUBE <input type="checkbox"/> 1 1/2" TUBE <input type="checkbox"/> 1 3/4" TUBE <input type="checkbox"/> 2" TUBE
	<b>ACCESSORIES</b> — <input type="checkbox"/> 24 LB CAP <input type="checkbox"/> 14" FAN <input type="checkbox"/> 16" FAN <input type="checkbox"/> FAN MOUNT
<b>SPECIAL INSTRUCTIONS</b> — _____	

**METHOD OF PAYMENT:**     COD (\$7.00 charge)     VISA     Master Card     Account

Card Number:    OTHER: \_\_\_\_\_

<table border="1" style="width: 100%; border-collapse: collapse;"> <tr> <td style="width: 25px; height: 20px;"> </td> <td style="width: 25px; height: 20px;"> </td> <td style="width: 25px; height: 20px;"> </td> <td style="width: 25px; height: 20px;"> </td> </tr> </table>					<table border="1" style="width: 100%; border-collapse: collapse;"> <tr> <td style="width: 25px; height: 20px;"> </td> <td style="width: 25px; height: 20px;"> </td> <td style="width: 25px; height: 20px;"> </td> <td style="width: 25px; height: 20px;"> </td> </tr> </table>					<table border="1" style="width: 100%; border-collapse: collapse;"> <tr> <td style="width: 25px; height: 20px;"> </td> <td style="width: 25px; height: 20px;"> </td> <td style="width: 25px; height: 20px;"> </td> <td style="width: 25px; height: 20px;"> </td> </tr> </table>					<table border="1" style="width: 100%; border-collapse: collapse;"> <tr> <td style="width: 25px; height: 20px;"> </td> <td style="width: 25px; height: 20px;"> </td> <td style="width: 25px; height: 20px;"> </td> <td style="width: 25px; height: 20px;"> </td> </tr> </table>				

Exp. Date:

--	--	--	--

\_\_\_\_\_  
Name as appears on card

Signature \_\_\_\_\_